



Simplicity is a range of lamps for every event



Philips PAR lamps now complete the range of quality event lighting from Philips.

An efficient lighting package with high quality Philips components, all optically aligned and sealed into a robust lamp.

In line with the renowned Philips Entertainment Lighting standards, Philips PAR lamps offer the very best quality, reliability and lowest cost of ownership available today. So when you need a lamp that really performs, choose the PAR lamps from Philips.

PHILIPS

Philips PAR

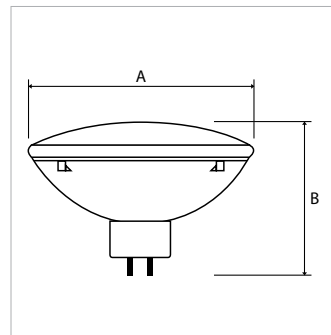
Features	Benefits
Self-contained spotlight	Allows details to be picked out over long distances with good beam control. Excellent for long-range light projections.
Front glass	Provides thermal and physical protection for the arc tube.
Universal burning	Allows fullest flexibility of luminaire angle and position to obtain the desired effect.
Hot restrike (option)	Immediate restrike after any power interruption.



Philips PAR 56



Philips PAR 64



Type	A mm	B mm
PAR 56	178	127
PAR 64	204	150

Type	Lens type	Wattage	Voltage	Cap/Base	Beam	Peak Intensity (candela)	Beam angle 50% Peak Candela (degree)	Tc (K)	Average rated life (hours)	Burning position	Ordering number
PAR56 230V 300W NSP	NSP	300W	230V	GX16d/12	Narrow Spot	60000	10	3000	2000	Any	9247 835 44204
PAR56 230V 300W MFL	MFL	300W	230V	GX16d/12	Medium Flood	30000	20	3000	2000	Any	9247 836 44204
PAR56 230V 300W WFL	WFL	300W	230V	GX16d/12	Wide Flood	15000	40	3000	2000	Any	9247 837 44204
PAR56 240V 300W NSP	NSP	300W	240V	GX16d/12	Narrow Spot	60000	10	3000	2000	Any	9247 835 45504
PAR56 240V 300W MFL	MFL	300W	240V	GX16d/12	Medium Flood	30000	20	3000	2000	Any	9247 836 45504
PAR56 240V 300W WFL	WFL	300W	240V	GX16d/12	Wide Flood	15000	40	3000	2000	Any	9247 837 45504

PAR64 230V 1000W CP60	VNSP	1000W	230V	GX16d	Very Narrow Spot	400000	11	3200	300	Any	9247 832 44204
PAR64 230V 1000W CP61	NSP	1000W	230V	GX16d	Narrow Spot	290000	12	3200	300	Any	9247 833 44204
PAR64 230V 1000W CP62	MFL	1000W	230V	GX16d	Medium Flood	130000	23	3200	300	Any	9247 834 44204
PAR64 240V 1000W CP60	VNSP	1000W	240V	GX16d	Very Narrow Spot	400000	11	3200	300	Any	9247 832 45504
PAR64 240V 1000W CP61	NSP	1000W	240V	GX16d	Narrow Spot	290000	12	3200	300	Any	9247 833 45504
PAR64 240V 1000W CP62	MFL	1000W	240V	GX16d	Medium Flood	130000	23	3200	300	Any	9247 834 45504



©2007 Koninklijke Philips Electronics N.V.
All rights reserved

Document order number 3222 635 60011

You can find more info at our website www.philips.com/broadway