



**©2006 Koninklijke Philips Electronics N.V.**

All rights reserved. Reproduction in whole or in part is prohibited without the prior written consent of the copyright owner. The information presented in this document does not form part of any quotation or contract, is believed to be accurate and reliable and may be changed without notice. No liability will be accepted by the publisher for any consequence of its use. Publication thereof does not convey nor imply any license under patent- or other industrial or intellectual property rights.

Document order number: 3222 635 61781

[www.philips.com/broadway](http://www.philips.com/broadway)



## Make life simple... try Philips FastFit

Philips Hi-Brite FastFit



Philips FastFit is a new lamp concept for Single Ended MSR Gold™ and Halogen Hi-Brite lamp types. The rear load lamp base system, developed by Philips and Bender & Wirth, enables easy lamp replacement and adjustments in seconds in difficult stage conditions and reduces the overall lamp length. This makes more compact and lighter fixture designs possible. The concept is made for both HID and Halogen lamps with the advantage that both technologies can be exchanged in the same fixture!

Philips MSR Gold™ FastFit



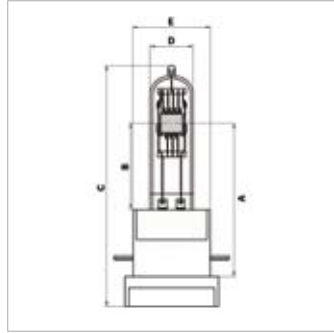
# PHILIPS

# Philips Hi-Brite FastFit

Features	Benefits
Philips FastFit	Lamp replacement in just seconds, exchangeable with HID lamp
Compact Filament	High beam intensity
Philips P3 pinch protection	Enables use at higher temperatures in any burning position. Longer lifetime, fewer early failures, consistent performance over time
Compact, shock resistant design	Easy handling, ideal for moving head systems



Philips Hi-Brite FastFit



Philips Hi-Brite FastFit

Watt	A	B	C	D	E	WxH
750	65	26	125	19	41	8.5x9.5
1200	84	43	140	25	41	11.7x10.2

Dimensions in mm

Type	Wattage W	Voltage V	Cap/base	Filament shape	Lumen output lm	Color temperature K	CRI	Efficacy source lm/W	Burning position	Average lamp life h	Max. perm. pinch temp. °C	Nom. Lamp current A	Ordering number
Philips Hi-Brite 750 FastFit	780	80	PGJX50	BP	22500	3250	100	30	any	300	500	9,5	release Q4 06
Philips Hi-Brite 1200 FastFit	1200	80	PGJX50	BP	36000	3250	100	30	any	200	500	15	9245 752 28900
Philips 1200/115 FastFit	1200	115	PGJX50	BP	33600	3200	100	28	any	300	500	10,4	9245 752 34400
Philips 1200/230 FastFit	1200	230	PGJX50	BP	29000	3200	100	25	any	300	500	5,2	9245 752 44200
Philips 1200/240 FastFit	1200	240	PGJX50	BP	29000	3200	100	25	any	300	500	5	9245 752 45500

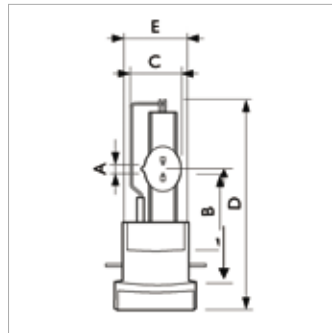


## Philips P3 pinch protection technology

- **Reliability**, through longer lifetime and fewer early failures.
- **Quality**, through excellent storage characteristics and consistent performance over time.
- **Compactness**, allowing more compact design of fixtures and burning positions.
- **Philips P3 technology**, Max 500° C pinch temperature
- **No pinch protection**, Max 350° C pinch temperature

# Philips MSR Gold™ FastFit

Features	Benefits
Philips FastFit	Lamp replacement in just seconds, exchangeable with halogen lamp
Very short arc	High beam intensity
Compact design	Easy handling. Smaller and lighter fixtures.
Flexible power range	Boostable light levels
Philips P3 pinch protection	Enables use at higher temperatures in any burning position. Longer lifetime, fewer early failures, consistent performance over time
Innovative gold plated pins	Reduces early lamp or lamp holder failures. Excellent current transfer
MSR filling	Pure, white light; color point close to black body line



Watt	A	B	C	D	E
700	4	65	25	111	41
1200	5	65	26	128	41

Dimensions in mm

Philips MSR Gold™ FastFit

Philips MSR Gold™ FastFit

	Nominal lamp wattage W	Cap / base	Arc size mm	Min ignition voltage V	Lumen output lm	Efficacy source lm/W	Color temp K	Max allowable pinch temp °C	CRI	Average lamp life hrs	Replacement before hrs	Burning position	Nominal lamp current A	Ordering number
Philips MSR Gold™ 700 FastFit	700 <sup>1</sup>	PGJX50	4	207	50.000	75	7500	500	>80	750	850	any	10	9281 748 05108
Philips MSR Gold™ 1200 FastFit	1200 <sup>2</sup>	PGJX50	5	207	95.000	80	6300	500	>80	750	850	any	13	9281 746 05108

1) Lamp can be operated between 400W and 800W. At 400W for maximum 50% of its lifetime.  
 2) Lamp can be operated between 600W and 1400W. At 600W for maximum 50% of its lifetime.



## Philips P3 pinch protection technology

- **Reliability**, through longer lifetime and fewer early failures.
- **Quality**, through excellent storage characteristics and consistent performance over time.
- **Compactness**, allowing more compact design of fixtures and burning positions.
- **Philips P3 technology**, Max 500° C pinch temperature
- **No pinch protection**, Max 350° C pinch temperature