



Philips LTIX 4000W HTP

Product family description

Standard Xenon Cinema lamps – sunlight quality, always. The Standard Xenon Cinema lamp's pure, white light has the same spectral distribution as the sun, to ensure that vibrant, natural colors are faithfully presented. The pure xenon gas used in these standard cinema projector lamps ensures constant color properties for the entire lifetime of the lamp. The result? Excellent screen presentations time after time. In addition, the high arc stability ensures flicker-free operation and a great viewing experience for the audience. And, because hot re-strike is possible, the lamp is available to perform at any time.

Product Features

- Pure Xenon fill gas
- Approximately 6000K color temperature
- Hot restrike
- High arc stability

Product Benefits

- Constant color properties for the life of the lamp
- Pure, white light, matching the spectra distribution of the sun
- Hot re-ignition is possible ensuring the availability of the light at any time
- Provides flicker-free operation

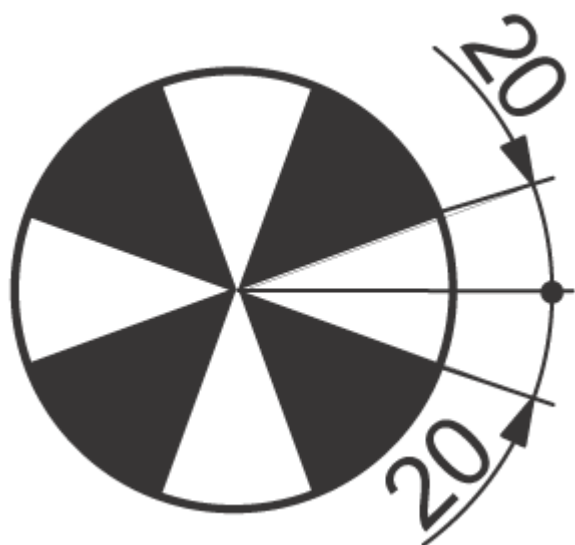
Product data	
Order code	301953 00
Full product name	Philips LTIX 4000W HTP
Packing type	Unpacked
Pieces per pack	1
Net weight per piece	0.975 KG
Successor order code	
Operating Position	hor/ver20 [Horizontal or vertical +/- 20 degrees]
Main Application	Cinema
Additional Information	lamp with threaded pin
Packing Type	UNP [Unpacked]
Packing Configuration	1
Average Lifetime	1200 hr

PHILIPS

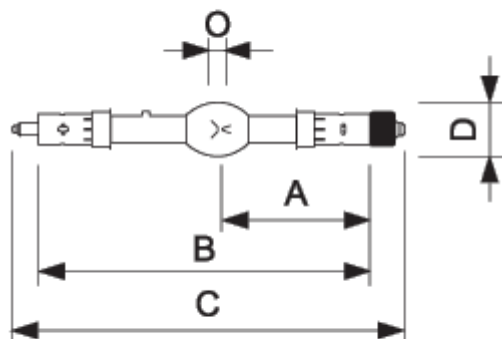
Product data	
Lamp Wattage	4000W
Technical Type	4000
Lamp Wattage Technical	4000 W
Lamp Voltage	30 V
Lamp Current	130 A
Luminous Flux Lamp	155000 Lm



Philips LTIX 4000W lamp with threaded pin



Operating Position hor/ver20



LTIX 1000W, 2000W, 3000W, 4000W HTP

Philips LTIX 1000W/2000W/3000W/4000W lamp with threaded pin

	A	B	C	D	E	F
Full product name	Nom	Max	Max	Nom	Nom	Nom
Philips LTIX 4000W HTP	167.5	382	433	70	-	27

	F1	G	H	X
Full product name	Nom	Nom	Nom	Nom
Philips LTIX 4000W HTP	27	14	-	-



©2009 Koninklijke Philips Electronics N.V.

All rights reserved. Reproduction in whole or in part is prohibited without the prior written consent of the copyright owner. The information presented in this document does not form part of any quotation or contract, is believed to be accurate and reliable and may be changed without notice. No liability will be accepted by the publisher for any consequence of its use. Publication thereof does not convey nor imply any license under patent- or other industrial or intellectual property rights.

Document order number : 0000 000 00000