



# In a class of their own.

OSRAM PAR lamps for entertainment lighting:  
lighter, brighter, cooler.



SEE THE WORLD IN A NEW LIGHT

**OSRAM** 

# A charismatic stage presence. The well-proven OSRAM PAR lamps.

A live performance without spotlights? A rock band without a stage show? A discotheque without dazzling light effects? In the entertainment sector, success is largely dependent on a spectacular light show. Therefore, organisers have been relying on OSRAM PAR lamps for years. Whether used on small or large stages: OSRAM PAR lamps will always be a shining star in show business.



*On the catwalk, PAR lamps make the most of exquisite elegance and sophisticated fashion.*

It was years ago that OSRAM's well-known classic – the 1000 watts PAR 64 – conquered the market. Its conventional design features a glass reflector which is sealed with a front lens. The high-quality halogen capsule combined with other components produces a high luminous intensity with longer lifetime.



*OSRAM PAR lamps are tried and tested when it comes to producing atmosphere at events of any kind.*

OSRAM has managed to further improve this classic. Instead of the conventional glass reflector, the new aluPAR® features a light aluminium reflector which reduces its weight by up to 50 %, resulting in easier handling and minimised storage and transport costs compared with conventional lamps. The combination of the high-performance halogen capsule's compact filament as well as the aligned high-precision reflector increases the luminous intensity by up to 10 %. OSRAM's aluPAR® 56 creates an optimum atmosphere on stages or at smaller indoor events, while aluPAR® 64 is the ideal choice for large-scale events and outdoor applications thanks to its high brightness.



*OSRAM PAR lamps make musicals an unforgettable experience for the audience.*



#### **The ideal cast for the standard programme:**

##### **PAR 64 Classic**

- The well-proven classic among the PAR lamps
- Front lens and glass reflector are sealed and air-tight
- Inert gases protect the built-in capsule
- The high-quality capsule's position is optimised
- The good interaction of burner and luminaire results in 25 % more light and a longer service life by up to 30 % in comparison with PAR lamps of the same weight class
- Rugged lamp design, stable and reliable
- Optimally suitable for outdoor applications
- Standardised geometry meets ANSI/CE specifications
- Good cost to performance ratio

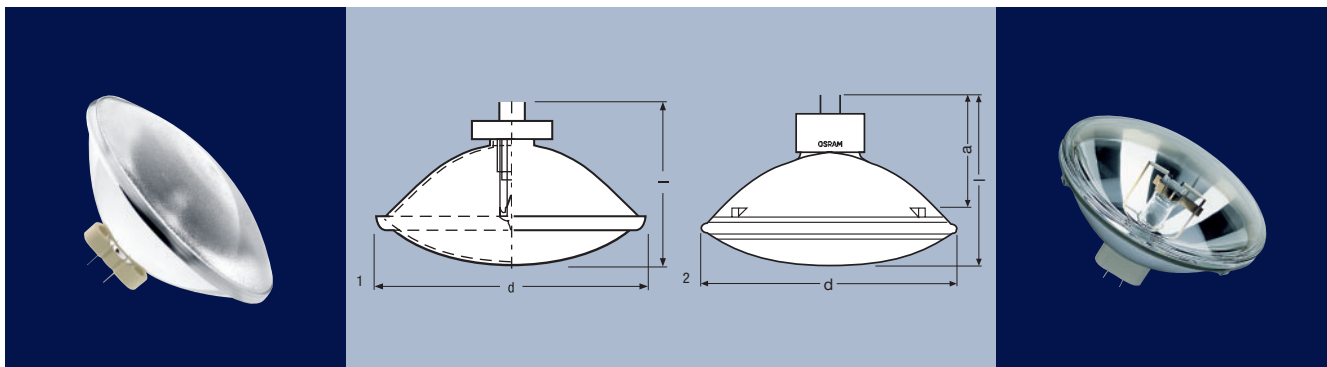
#### **A lightweight that meets the highest requirements:**

##### **aluPAR® 56 and aluPAR® 64**

- Modular lamp design
- The light aluminium parabolic reflector and the front plate are mechanically connected
- Easy disassembly into single components leads to environmentally friendly disposal
- Up to 50 % less weight for easier handling and reduced transport costs
- Luminous intensity is increased by up to 10 %
- The robust lamp design ensures a long service life
- Safety is increased due to the integrated, patented lamp fuse according to DIN IEC 60432-2
- Full compatibility with ANSI/CE standards
- aluPAR® 56 and aluPAR® 64 are available in different wattages to ensure high flexibility
- Winner of the Innovation Awards at PLASA 2005

Whether indoors or outdoors: Thanks to their versatility, OSRAM PAR lamps are in high demand for events, live performances and stage productions of any kind.

## TECHNICAL DATA



Product name	ANSI code	LIF code	Rated wattage (W)	Voltage (V)	Beam angle (50%)	Average Lifetime (h)	Luminous intensity (cd)	Base	Burning position <sup>1)</sup>	Diameter d (mm)	Length max. l (mm)	LCL spacing a (mm)	Pack-aging (pcs.)	Fig. no.
<b>aluPAR® 56, 300 W, 2950 K</b>														
aluPAR 56 NSP			300	120	9°/8°	2000	68000	GX16d	any	177	113	–	6	1
aluPAR 56 MFL			300	120	17°/15°	2000	24000	GX16d	any	177	113	–	6	1
aluPAR 56 WFL			300	120	27°/26°	2000	11000	GX16d	any	177	113	–	6	1
aluPAR 56 NSP			300	230/240	9°/8°	2000	70000	GX16d	any	177	113	–	6	1
aluPAR 56 MFL			300	230/240	17°/15°	2000	30000	GX16d	any	177	113	–	6	1
aluPAR 56 WFL			300	230/240	27°/26°	2000	10000	GX16d	any	177	113	–	6	1
<b>aluPAR® 64, 500 W, 2950 K</b>														
aluPAR 64 NSP			500	120	12°/7°	2000	110000	GX16d	any	203	150	–	6	1
aluPAR 64 MFL			500	120	23°/11°	2000	37000	GX16d	any	203	150	–	6	1
aluPAR 64 WFL			500	120	55°/32°	2000	13000	GX16d	any	203	150	–	6	1
<b>aluPAR® 64, 1000 W, 3200 K</b>														
aluPAR 64 VNSP	FFN		1000	120	12°/6°	800	400000	GX16d	any	203	150	–	6	1
aluPAR 64 NSP	FFP		1000	120	14°/7°	800	330000	GX16d	any	203	150	–	6	1
aluPAR 64 MFL	FFR		1000	120	28°/12°	800	125000	GX16d	any	203	150	–	6	1
aluPAR 64 WFL <sup>2)</sup>	FFS		1000	120	48°/24°	800	40000	GX16d	any	203	150	–	6	1
aluPAR 64 VNSP	EXC	CP/60	1000	230/240	12°/9°	300	352000	GX16d	any	203	150	–	6	1
aluPAR 64 NSP	EXD	CP/61	1000	230/240	14°/10°	300	297000	GX16d	any	203	150	–	6	1
aluPAR 64 MFL	EXE	CP/62	1000	230/240	24°/11°	300	138000	GX16d	any	203	150	–	6	1
aluPAR 64 WFL <sup>2)</sup>	EXG		1000	230/240	57°/21°	300	38000	GX16d	any	203	150	–	6	1
<b>PAR 64 Classic, 3200 K</b>														
64737/3 NSP	EXC	CP/60	1000	230	12°/9°	300	320000	GX16d	any	204	152.4	102	6	2
64737/4 NSP	EXC	CP/60	1000	240	12°/9°	300	320000	GX16d	any	204	152.4	102	6	2
64738/3 SP	EXD	CP/61	1000	230	14°/10°	300	270000	GX16d	any	204	152.4	102	6	2
64738/4 SP	EXD	CP/61	1000	240	14°/10°	300	270000	GX16d	any	204	152.4	102	6	2
64739/3 FL	EXE	CP/62	1000	230	22°/14°	300	125000	GX16d	any	204	152.4	102	6	2
64739/4 FL	EXE	CP/62	1000	240	22°/14°	300	125000	GX16d	any	204	152.4	102	6	2

Beam angle: VNSP = very narrow spot, NSP = narrow spot, SP = spot, MFL = medium flood, FL = flood, WFL = wide flood

1) Inclination not perpendicular to the filament plane

2) In preparation

### OSRAM GmbH

#### Head Office

Hellabrunner Str. 1  
81543 Munich  
Phone: +49 (0) 89-62 13-0  
Fax: +49 (0) 89-62 13-20 20  
www.osram.de  
www.osram.com  
catalog.myosram.com/DE  
catalog.myosram.com/EN

### OSRAM GmbH

#### Display/Optic Division

Nonnendammallee 44  
13625 Berlin  
Phone: +49 (0) 30-33 86-21 74  
Fax: +49 (0) 30-33 86-23 59  
e-mail: info@osram.com

### OSRAM SYLVANIA (US)

#### Display/Optic Division

**National Customer Service and Sales Center**  
18725 N. Union Street  
Westfield, IN 46074  
Phone: +1-888-677-26 27  
Fax: +1-800-762-71 92  
www.sylvania.com

SEE THE WORLD IN A NEW LIGHT

