



See the difference, try
Philips MSR GOLD™

The golden solution for your double ended needs!

Whatever the fixture used, the MSR SA/DE GOLD™ guarantees the purest
white light and the most natural colors on stage.
Even at high temperatures, early lamp or holder failures are over.

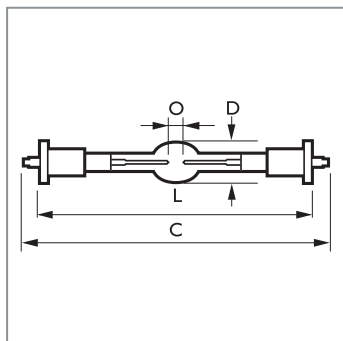
PHILIPS

MSR SA / DE GOLD™

Features	Benefits
Color point close to black body line	Pure, white light
Consistent color impression over MSR range	Pure, white light independent from fixture / lamp type used
Gold plated lamp caps	Reduces early lamp or lamp holder failures
P3 pinch protection	Consistent performance even in the most severe temperature conditions



MSR SA / DE Gold



MSR SA / DE Gold

Product dimensions mm	C max	D max	L max	O max
1200W	135	21	115	7.0
700 W	135	18	115	4.0
400 W	135	18	115	3.0

Dimensions in mm

Type	Lamp wattage	Cap / base	Arc size	Min ignition voltage	Lumen output	Efficacy source	Colour temp	max allowable pinch temp	CRI	Average lamp life	Replacement before	Operating position	Lamp current	Ordering number
	W		mm	V	lm	lm/W	K	°C		hrs	hrs		A	
MSR 1200 SA/DE	1200	SFC 10-4	7	207	110000	90	6000	500	85	750	1000	any	13,6	9280 996 05100
MSR 1200 SA/2 DE	1200	SFC 10-4	7	207	103000	86	7500	500	80	750	1000	any	13,6	9281 753 05100
MSR 700 SA/2 DE	700	SFC 10-4	4	207	56000	80	7500	500	75	750	1000	any	10,2	9281 747 05100
MSR 400 SA/2 DE	400	SFC 10-4	3	207	27000	70	7500	500	70	750	1000	any	8,4	9281 736 05100



PHILIPS PINCH PROTECTION TECHNOLOGY

- **Reliability**, through longer lifetime and fewer early failures.
- **Quality**, through excellent storage characteristics and consistent performance over time.
- **Compactness**, allowing more compact design of fixtures and burning positions.

- ★ **Philips P3 technology** ★
Max 500° C pinch temperature
- **Competitive technology**
Max 450° C pinch temperature
- **No pinch protection**
Max 350° C pinch temperature



You can find more info at our website www.broadway.philips.com