

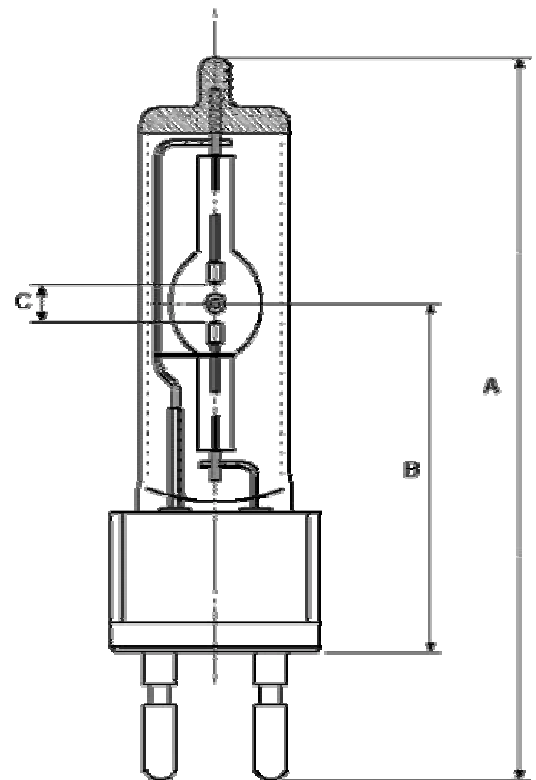
CSR Lamps

The GE CSR800/SE/HR lamp is the newest addition to the GE hot restrike line of entertainment metal halide lamps giving GE the most complete line of hot restrike lamps in the industry. This lamp is also a UV control lamp meaning that UV is reduced by over 90% vs. standard hot restrike lamps. The CSR800/SE/HR is used mainly in the film industry

Product Description CSR800/SE/HR

Technical Data

•Order Description	CSR800/SE/HR
•Product Code	22495
•Pack Quantity	10
•Rated Wattage	800W
•Rated Voltage	95 ± 10V
•Lamp Current	8.5A
•Ignition Voltage	2.5/20(MAX25)KV
•Lumens	64,000Lm
•Lumens per watt	80
•Ra	>90
•Chromaticity coordinates	x 0.325 y 0.327
•Color temperature	5800K
•Arc Length (C)	7mm
•Lamp length (A)	145mm
•Light center length (B)	70mm
•Lamp diameter	MAX φ 31mm
•Average rated life	1000hrs
•Base	G22



Lamp Operation

•Burn Position	Any
•Maximum Seal temperature	350° C
•Cooling	Convection

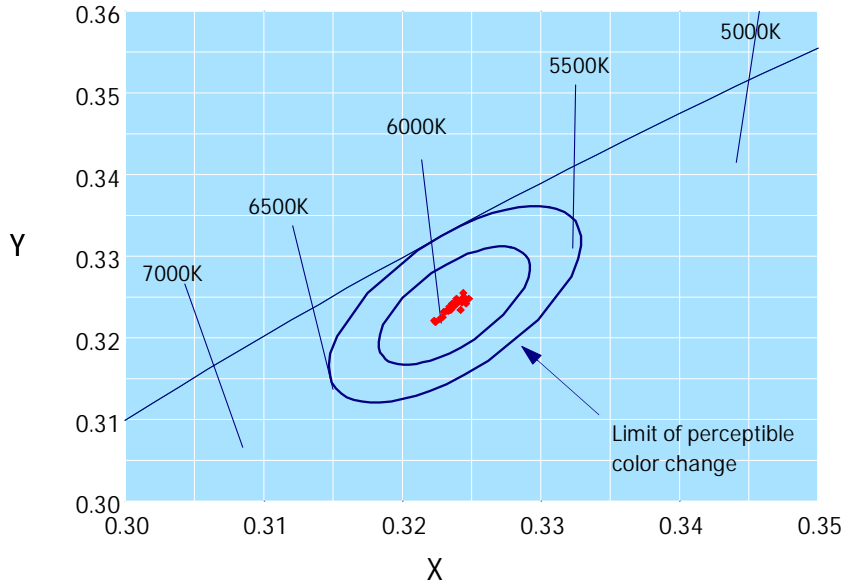
Control Gear

The CSR800/SE/HR can be used on electronic or AC magnetic ballast/ igniters control gear



Colour Control

The GE CSR800/SE/HR provides unrivalled colour control per batch and between batches. All lamps produced operate far within the limits of perceptible color change



Spectrum

The lamp employs a UV control outer jacket. This means that effective UV output is reduced by over 90%

