

# Technical Information

No. 5582

Edition: 01/07 - subject to change

Substitutes: Edition new

Status: valid



# XBO® 4000 W/HTP XL OFR

## Xenon Short Arc Lamp

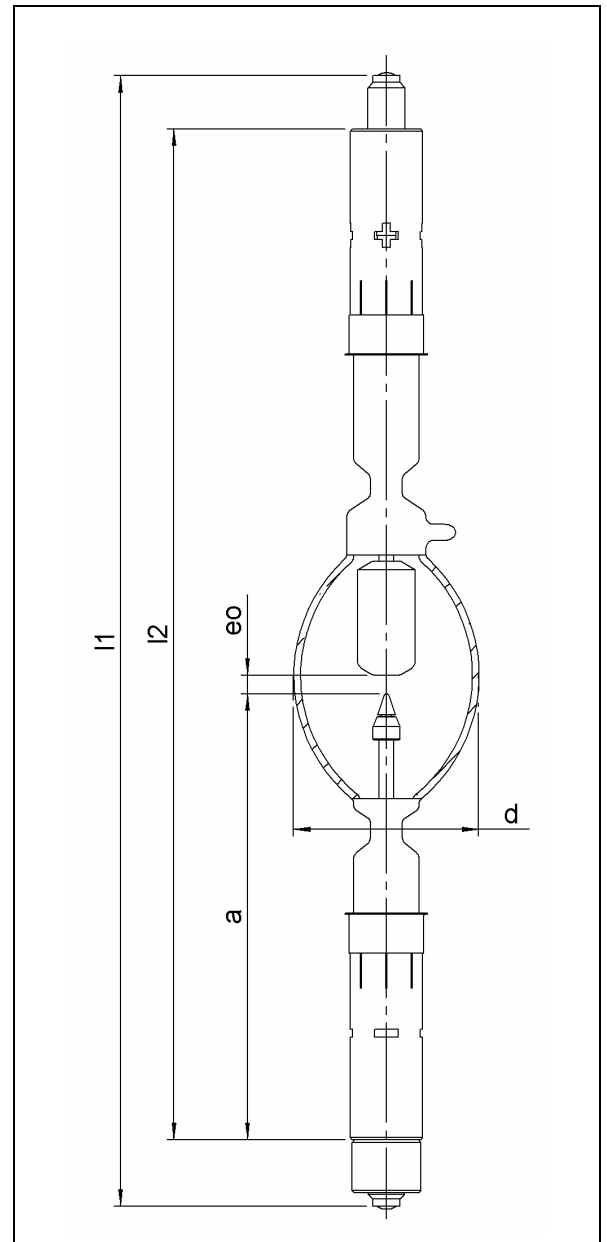
### ■ Product description

The OSRAM XBO® 4000 W/HTP XL OFR is a DC-operated lamp, developed with the latest high brightness technology for XBO lamps. The XL lamps, which stands for Xtreme life, are strictly optimized on performance and have an increased warranty up to 50%.

### ■ Technical data

Order reference		XBO® 4000 W/HTP OFR
Rated lamp wattage	W	4000
Rated lamp voltage	V	30
Rated lamp current (=)	A	130
Current control range	A	100 - 140
Ignition voltage	kV <sub>s</sub>	36
Min. open circuit voltage for cold / hot ignition	V	85 / 110
Luminous flux	lm	155000
Luminous intensity	cd	16000
Average luminance	cd/cm <sup>2</sup>	90000
Luminous area w x h *)	mm	1.9 x 6.0
Electrode gap eo (cold)	mm	7.0
Lamp length (overall) L <sub>1</sub>	mm	max. 430
Lamp length L <sub>2</sub>	mm	max. 382
LCL a	mm	167.5
Bulb diameter d	mm	70
<b>Warranty</b>	<b>h</b>	<b>1500</b>
Base		Cathode: SFc 27-14 Anode: SFa 27-14

\*) w = luminance half width value; h = height of luminance area (corresponds to electrode gap, hot)



### ■ Lamp operation

Maximum permissible base temperature	°C	230
Cooling		forced cooling / fan
Min. air flow velocity around discharge vessel	m/s	6
Magnetic arc stabilization		required in horizontal burning position
Burning position		s 20 (vertical ± 20°; anode up) ; p 20 (horizontal ± 20°)

## Technical Information

No. 5582

Edition: 01/07 - subject to change

Substitutes: Edition new

Status: valid

Xenon Short Arc Lamp

# XBO<sup>®</sup> 4000 W/HTP XL OFR