



# XBO<sup>®</sup> 4000 W/HS XL OFR

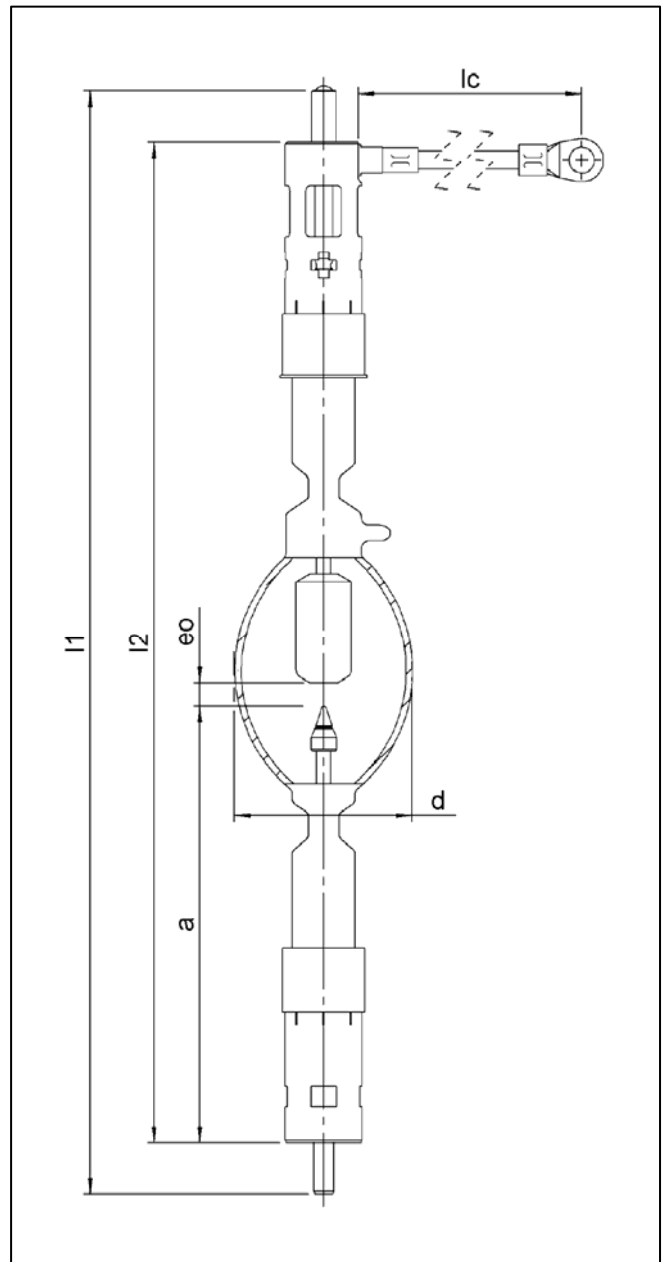
## ■ Product description

The OSRAM XBO<sup>®</sup> 4000 W/HS XL OFR is a DC-operated lamp, developed with the latest high brightness technology for XBO lamps. The XL lamps, which stands for Xtreme life, are strictly optimized on performance and have an increased warranty up to 50%.

## ■ Technical data

Order reference	XBO <sup>®</sup> 4000 W/HS XL OFR	
Rated lamp wattage	W	4000
Rated lamp voltage	V	28
Rated lamp current (=)	A	135
Current control range	A	80 - 150
Ignition voltage	kV <sub>p</sub>	33
Min. open circuit voltage for cold / hot ignition	V	75 / 100
Luminous flux	lm	155000
Luminous intensity	cd	17000
Average luminance	cd/cm <sup>2</sup>	90000
Luminous area w x h *)	mm	1.9 x 6.0
Electrode gap eo (cold)	mm	7.0
Lamp length (overall) l <sub>1</sub>	mm	max. 410
Lamp length l <sub>2</sub>	mm	max. 370
LCL a	mm	171
Bulb diameter d	mm	70
<b>Warranty</b>	<b>h</b>	<b>1.500</b>
Base	Cathode	SFa 30-7,9
	Anode	SFaX 30-9,5
Cable length l <sub>c</sub>	mm	400

\*) w = luminance half width value; h = height of luminance area (corresponds to electrode gap, hot)



## ■ Lamp operation

Maximum permissible base temperature	230 °C
Cooling	Forced cooling / fan
Min. air flow velocity around discharge vessel	6 m/s
Magnetic arc stabilization	necessary for horizontal operation
Operating position	s 20 (vertical ± 20° ; anode up) ; p 20 (horizontal ± 20°)