



## XBO<sup>®</sup> 3000 W/HS XL OFR

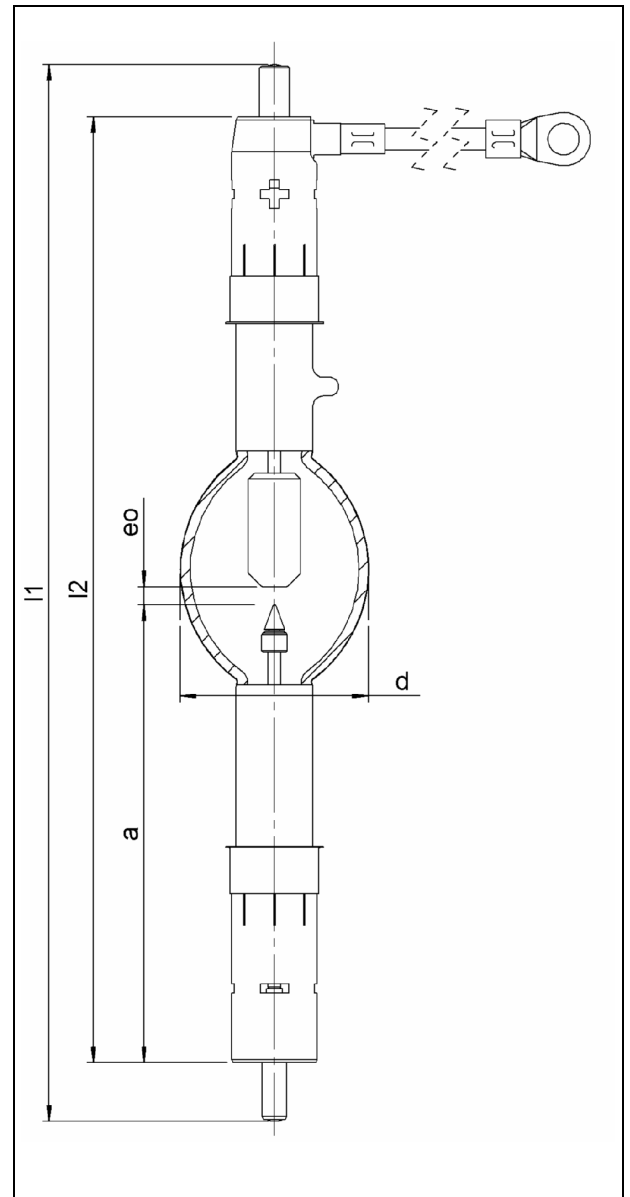
### ■ Product description

The OSRAM XBO<sup>®</sup> 3000 W/HS XL OFR is a DC-operated lamp, developed with the latest high brightness technology for XBO lamps. The XL lamps, which stands for Xtreme life, are strictly optimized on performance and have an increased warranty by up to 50%.

### ■ Technical data

Order reference	XBO <sup>®</sup> 3000 W/HS XL OFR	
Rated lamp wattage	W	3000
Rated lamp voltage	V	29
Rated lamp current (DC)	A	100
Current control range	A	60 - 110
Ignition voltage	kV <sub>P</sub>	36
Min. open circuit voltage for cold / hot ignition	V	85 / 110
Luminous flux	lm	130000
Luminous intensity	cd	12000
Average luminance	cd/cm <sup>2</sup>	90000
Luminous area w x h *)	mm	1.7 x 5.0
Electrode gap e (cold)	mm	6
Lamp length (overall) l <sub>1</sub>	mm	max. 342
Lamp length l <sub>2</sub>	mm	max. 302
LCL a	mm	145
Bulb diameter d	mm	60
<b>Warranty</b>	<b>h</b>	<b>2.200</b>
Base	Cathode	SFa 27-7,9
	Anode	SFaX 27-9,5

\*) w = luminance half width value; h = height of luminous area (corresponds to electrode gap, hot)



### ■ Lamp operation

Maximum permissible base temperature	230°C
Cooling	forced cooling / fan
Min. air flow velocity around discharge vessel	6 m/s
Magnetic arc stabilization	necessary for horizontal operation

## Technical Information

No. 5542

Edition: 01/07

Substitutes: new

Status: valid

Operating position

Xenon Short Arc Lamp

# XBO<sup>®</sup> 3000 W/HS XL OFR

s 30 (vertical  $\pm 30^\circ$ ; anode up) ; p 30 (horizontal  $\pm 30^\circ$ )