

XBO[®] 6500 W/HSLA OFR

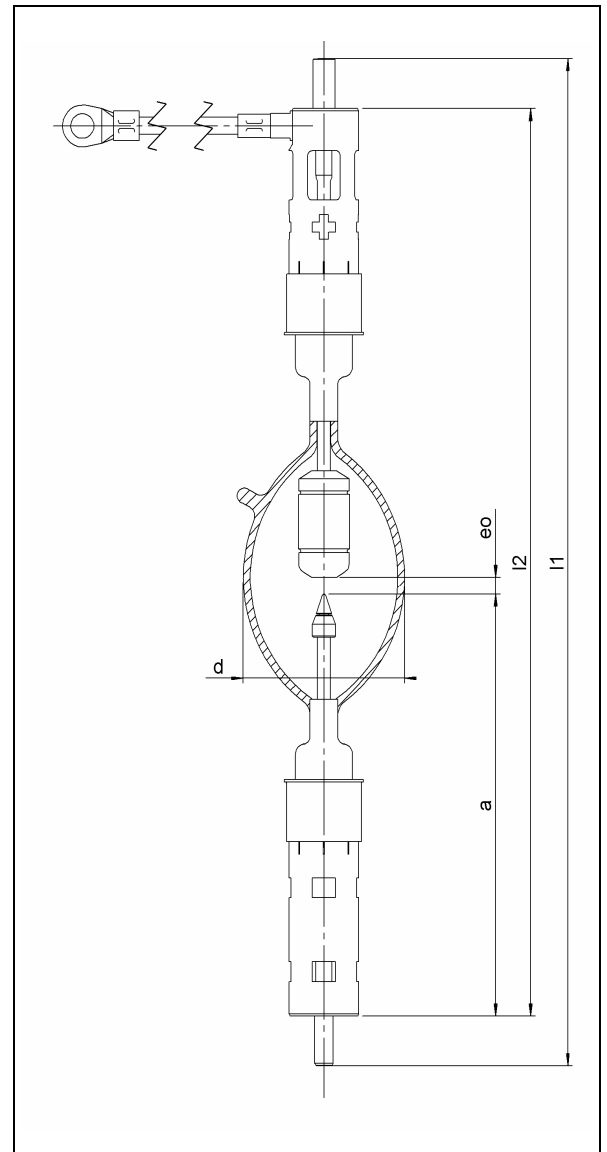
■ Product description

OSRAM XBO[®] 6500 W/HSLA OFR. LA stands for Lumen Advanced. Produced with the latest high brightness XBO technology. A new generation of high light output lamps specially developed for applications requiring excellent arc stability and maximum efficiency of its luminance.

■ Technical data

Order reference	XBO [®] 6500 W/HSLA OFR	
Rated lamp wattage	W	6500
Rated lamp voltage	V	38
Rated lamp current (DC)	A	170
Current control range	A	140 - 175
Ignition voltage	kV _P	40
Min. open circuit voltage for cold / hot ignition	V	85 / 110
Luminous flux	lm	300000
Luminous intensity	cd	32000
Average luminance	cd/cm ²	160000
Luminous area w x h *)	mm	2.0 x 6.3
Electrode gap e (cold)	mm	7.5
Lamp length (overall) l ₁	mm	max. 433
Lamp length l ₂	mm	max. 393
LCL a	mm	170,5
Bulb diameter d	mm	70
Average service life	h	700
Warranty	h	500
Base	Cathode:	SFa 30-7,9
	Anode:	SFa X 30-9,5

*) w = luminance half width value; h = height of luminance area (corresponds to electrode gap, hot)



■ Lamp operation

Maximum permissible base temperature	230°C
Cooling	forced cooling / fan
Min. air flow velocity around discharge vessel	6 m/s
Magnetic arc stabilization	necessary for horizontal operation

Technical Information

No. 5495

Edition: 01/07

Substitutes: new

Status: preliminary

Burning position

Xenon Short Arc Lamp

XBO[®] 6500 W/HSLA OFR

s 15 (vertical $\pm 15^\circ$; anode up) ; p 15 (horizontal $\pm 15^\circ$)