

## Technical Information

No. 5395

Edition: 01/06 - subject to change

Substitutes: Edition 01/06

Status: valid

## Xenon Short Arc Lamp

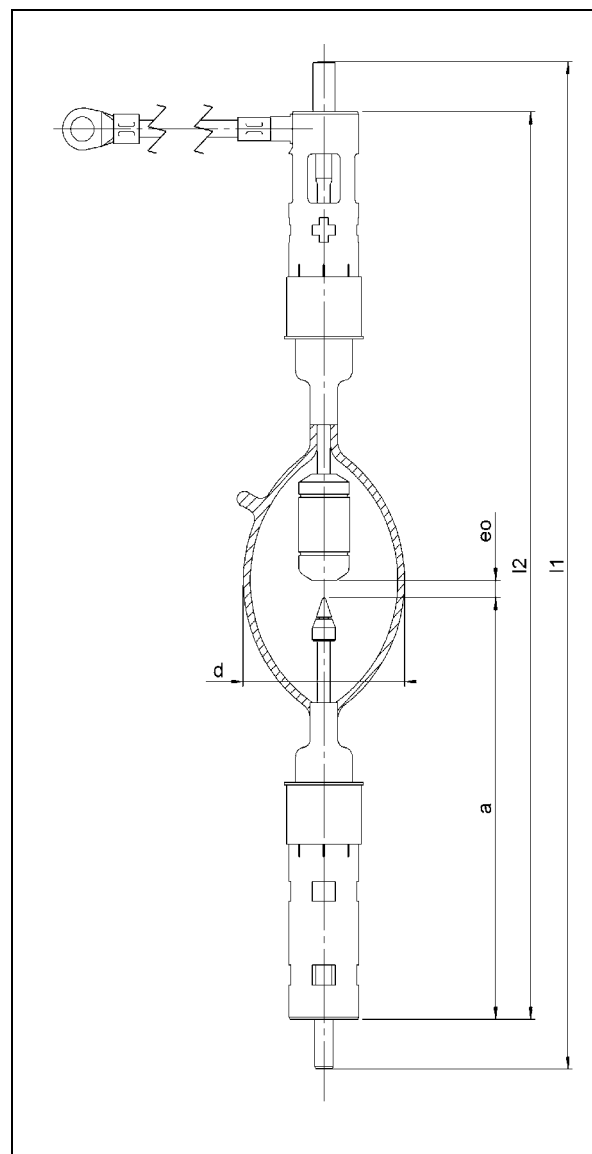
# XBO<sup>®</sup> 6000 W/HSLA OFR

### ■ Product description

The OSRAM XBO<sup>®</sup> 6000 W/HSLA OFR is a DC-operated lamp that is especially suited for applications requiring excellent arc stability and a high luminance.

### ■ Technical data

Order reference	XBO <sup>®</sup> 6000 W/HSLA OFR	
Rated lamp wattage	W	6000
Rated lamp voltage	V	35
Rated lamp current (DC)	A	170
Current control range	A	140 - 175
Ignition voltage	kV <sub>p</sub>	40
Min. open circuit voltage for cold / hot ignition	V	85 / 110
Luminous flux	lm	280000
Luminous intensity	cd	30000
Average luminance	cd/cm <sup>2</sup>	160000
Luminous area w x h *)	mm	1.9 x 6.0
Electrode gap e (cold)	mm	7.0
Lamp length (overall) l <sub>1</sub>	mm	max. 433
Lamp length l <sub>2</sub>	mm	max. 393
LCL a	mm	170,5
Bulb diameter d	mm	70
Average service life **)	h	1000
Warranty	h	600
Base	Cathode:	SFa 30-7,9
	Anode:	SFa X 30-9,5



\*) w = luminance half width value; h = height of luminance area (corresponds to electrode gap, hot)

\*\*\*) Using electronic rectifier with low current ripple

### ■ Lamp operation

Maximum permissible base temperature	230°C
Cooling	forced cooling / fan
Min. air flow velocity around discharge vessel	6 m/s
Magnetic arc stabilization	necessary for horizontal operation
Burning position	s 15 (vertical ± 15° ; anode up) ; p 15 (horizontal ± 15°)