

Technical Information

No. 5626

Edition: 04/08 - subject to change

Substitutes: new

Status: valid



Xenon Short Arc Lamp

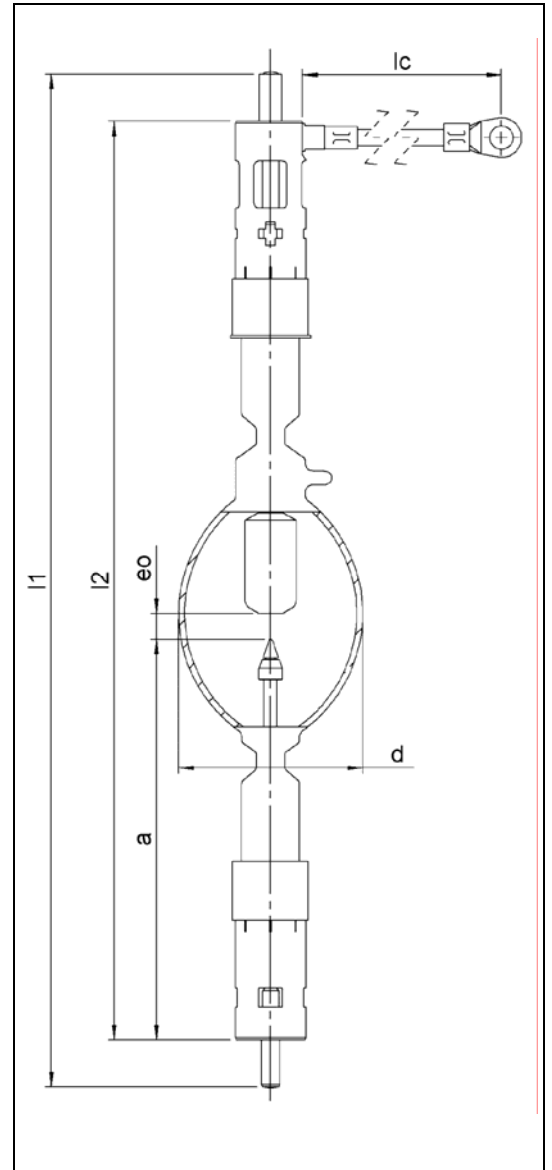
XBO[®] 7000 W/HS CL OFR

■ Product description

The OSRAM XBO[®] 7000 W/HS CL OFR is a DC-operated lamp that is especially suited for applications requiring excellent arc stability and high luminance. The CL lamps, which stands for **Classic Line**, combines the classical Osram features with an optimization on bulb pricing and has the same warranty as the regular standard lamps.

■ Technical data

Order reference	XBO [®] 7000W/HS CL OFR	
Rated lamp wattage	W	7000
Rated lamp voltage	V	42
Rated lamp current (=)	A	160
Current control range	A	110 - 165
Ignition voltage (cold / hot)	kV _s	44
Min. Open circuit voltage for cold/hot ignition	V	85 / 110
Luminous flux	lm	350000
Luminous intensity	cd	35000
Average luminance	cd/cm ²	100000
Luminous area	mm	2,6 x 9,0
Lamp length (overall) l ₁	mm	max. 433
Lamp length l ₂	mm	max. 393
Bulb diameter d ₁	mm	66
LCL a	mm	170,5
Electrode gap e (cold)	mm	11
Warranty	h	500
Base	Cathode: SFa 30-7,9 Anode: SFaX 30-9,5	
Cable length l _c	mm	400



■ Lamp operation

Maximum permissible base temperature	°C	230
Forced cooling required	m/s	6 = min. air flow velocity around discharge tube
Burning position		vertical and horizontal ± 15°; s 15 and p 15
Magnetic arc stabilization		required in horizontal burning position