

# Technical Information

No. 5598

Edition: 01/07 - subject to change

Substitutes: new

Status: valid



# Xenon Short Arc Lamp

# XBO® 3000 W/HTP CL OFR

## ■ Product description

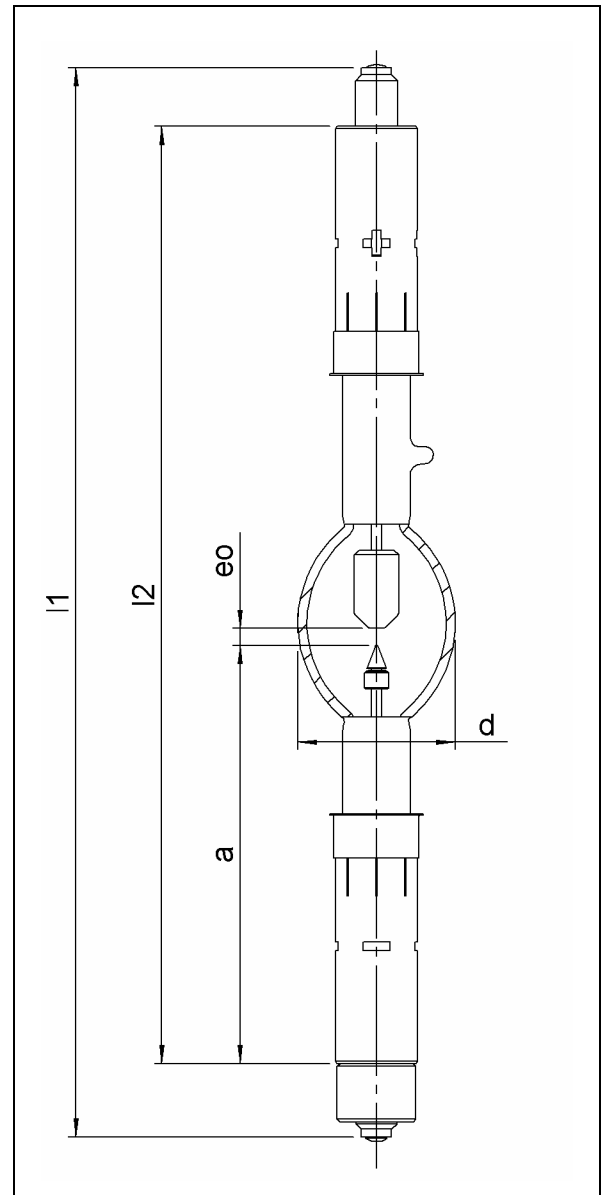
The OSRAM XBO® 3000 W/HTP CL OFR is a DC-operated lamp that is especially suited for applications requiring excellent arc stability and a high luminance. The CL lamps, which stands for Classic Line, combines the classical Osram features with an optimization on bulb pricing and has the same warranty as the regular standard lamps.

## ■ Technical data

Order reference		XBO® 3000 W/HTP CL OFR
Rated lamp wattage	W	3000
Rated lamp voltage	V	29
Rated lamp current (=)	A	100
Current control range	A	60 - 110
Ignition voltage	kV <sub>s</sub>	36
Min. open circuit voltage for cold / hot ignition	V	85 / 110
Luminous flux	lm	130000
Luminous intensity	cd	12000
Average luminance	cd/cm <sup>2</sup>	85000
Luminous area w x h *)	mm	1.7 x 5.0
Electrode gap e (cold)	mm	6.0
Lamp length (overall) L <sub>1</sub>	mm	max. 405
Lamp length L <sub>2</sub>	mm	max. 357
LCL a	mm	162,5
Bulb diameter d	mm	55
Warranty	h	1500

Base  
Cathode: SFc 27-14  
Anode: SFa 27-14

\*) w = luminance half width value; h = height of luminance area (corresponds to electrode gap, hot)



## ■ Lamp operation

Maximum permissible base temperature	°C	230
Cooling		forced cooling / fan
Min. air flow velocity around discharge vessel	m/s	6
Magnetic arc stabilization		not necessary
Burning position		s 30 (vertical ± 30°; anode up) ; p 30 (horizontal ± 30°)