

Technical Information

No. 5620

Edition: 04/08- subject to change

Substitutes: new

Status: valid



Xenon Short Arc Lamp

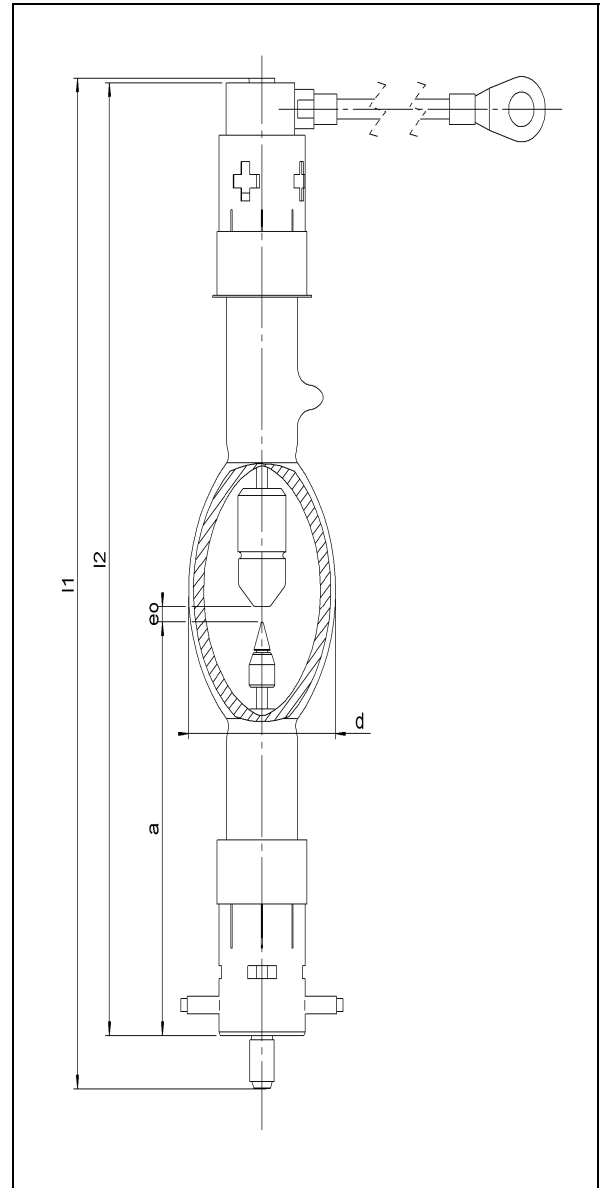
XBO[®] 2000 W/SHSC CL OFR

■ Product description

The OSRAM XBO[®] 2000 W/SHSC CL OFR is a DC-operated lamp that is especially suited for applications requiring excellent arc stability and high luminance. The CL lamps, which stands for Classic Line, combines the classical Osram features with an optimization on bulb pricing and has the same warranty as the regular standard lamps.

■ Technical data

Order reference	XBO [®] 2000W/SHSC CL OFR	
Rated lamp wattage	W	2000
Rated lamp voltage	V	27
Rated lamp current (=)	A	70
Current control range	A	50 - 85
Ignition voltage	kV _P	33
Min. open circuit voltage for cold / hot ignition	V	85/110
Luminous flux	lm	80000
Luminous intensity	cd	7500
Average luminance	cd/cm ²	80000
Luminous area w x h *)	mm	1.3 x 4.0
Electrode gap e (cold)	mm	5.0
Lamp length (overall) l ₁	mm	max. 236
Lamp length l ₂	mm	max. 222
LCL a	mm	95
Bulb diameter d	mm	46
Average service life	h	2000
Warranty	h	2000
Base	Cathode	SFcX 27-8
	Anode	SK 27/50
Cable length l _c	mm	265



*) w = luminance half width value; h = height of luminous area (corresponds to electrode gap, hot)

■ Lamp operation

Maximum permissible base temperature	230 °C
Cooling	forced cooling / fan
Min. air flow velocity around discharge vessel	8 m/s
Burning position	s 20 (vertical ± 20°; anode up); p 20 (horizontal ± 20°)