

Technical Information

No. 5679

Edition: 04/09

Substitutes: 0409

Status: valid

Xenon Short Arc Lamp

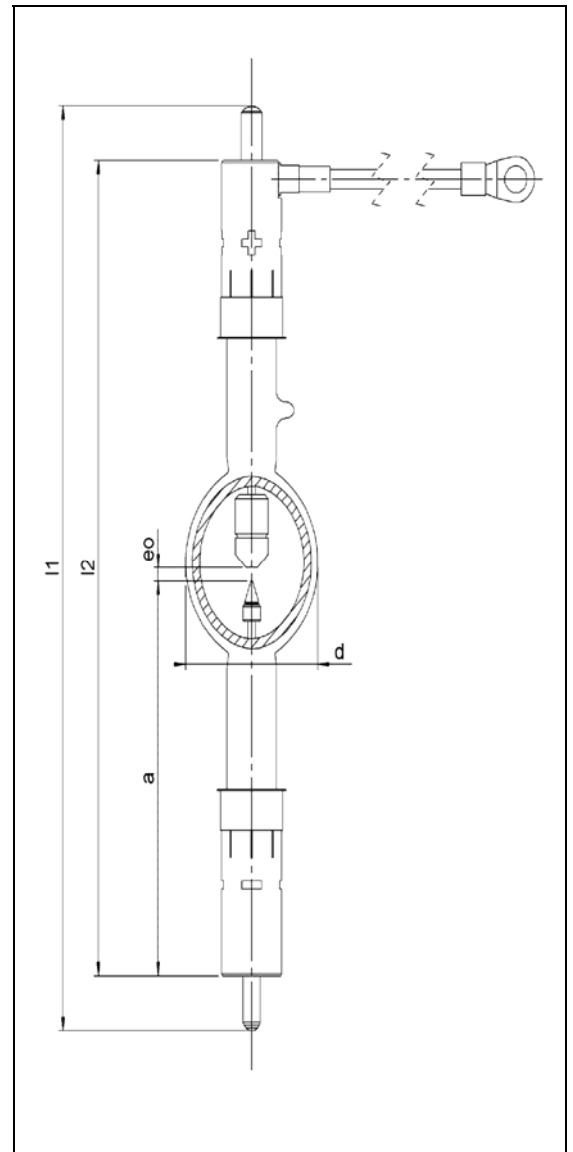
XBO[®] 1200 W/DHP OFR

■ Product description

The OSRAM XBO[®] 1200 W/DHP OFR is a DC operated lamp, which especially has been designed for applications, requiring highest level of performance in luminance and excellent arc stability. The XBO[®] 1200 W/DHP OFR will fit the latest technical Digital Cinema - Projection requirements.

■ Technical data

Order reference	XBO [®] 1200 W/DHP OFR	
Rated lamp wattage	W	1200
Rated lamp voltage	V	20
Rated lamp current (=)	A	60
Current control range	A	40 - 70
Ignition voltage	kVP	36
Min. open circuit voltage for cold / hot ignition	V	85 / 110
Luminous flux	lm	45000
Luminous intensity	cd	4000
Average luminance	cd/cm ²	90000
Luminous area w x h *)	mm	1,2 x 3,0
Electrode gap e (cold)	mm	4,0
Lamp length (overall) l ₁	mm	max. 345
Lamp length l ₂	mm	max. 295
LCL a	mm	123
Bulb diameter d, max.	mm	40,5
Service warranty**)	h	3500
Warranty	h	3000
Base	Cathode: SFc27-16/45	
Anode cable 130 mm	Anode: SFaX27-14x80	



*) b = luminance half width value; h = electrode gap (hot) of running lamp

**) Covers rupture effects in the projector, like reflector and first filter in front of the lamp.

■ Lamp operation

Maximum permissible base temperature	°C	230
Cooling requirements	forced cooling / fan	
Min. air flow velocity around discharge vessel	m/s	7
Operating position	s 110 (vertical ± 110°; anode up)	